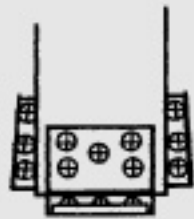
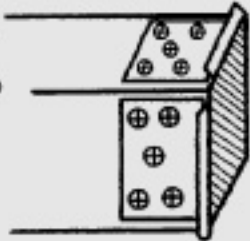


J-ANCHOR™ WOOD POST ANCHOR

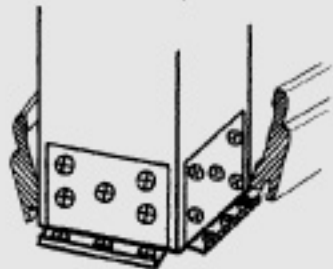
E-Z to install new or repair old posts

1. Place bottom of post against flat surface and use metal J-ANCHOR™ bracket as template to pre-drill for one inch screws. Do not extend

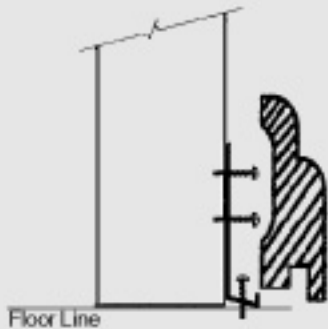
J-ANCHOR™ past bottom of post. (See illustration at right.) Attach an anchor to each post side. (1" #8 screws included.)



2. Place the post with attached J-ANCHOR™ brackets at the required position on the floor and secure with 1 3/4" screws. (Twelve 1 3/4" #10 screws included.)



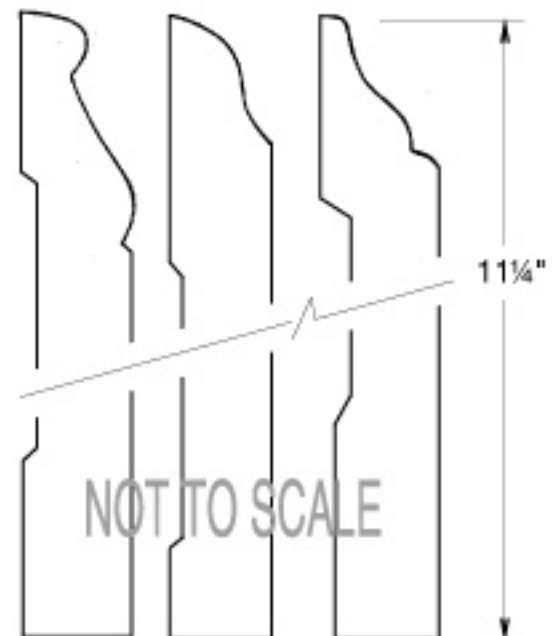
3. Insert provided mouldings into flanges on anchors. Position mitered corners for best fit and nail or glue the top edge.



Skirtboard

We offer 5/8" x 10 1/4" or 5/8" x 11 1/4" skirtboard with the same profiles as baseboards we have in stock. Matching trim items and stair parts items can be mitered together to produce a professional looking staircase.

Stocked in Fingerjoint Poplar and MDF



423-855-4108

PHONE OR FAX YOUR ORDER
Please call to verify stock availability

FAX 423-855-0179