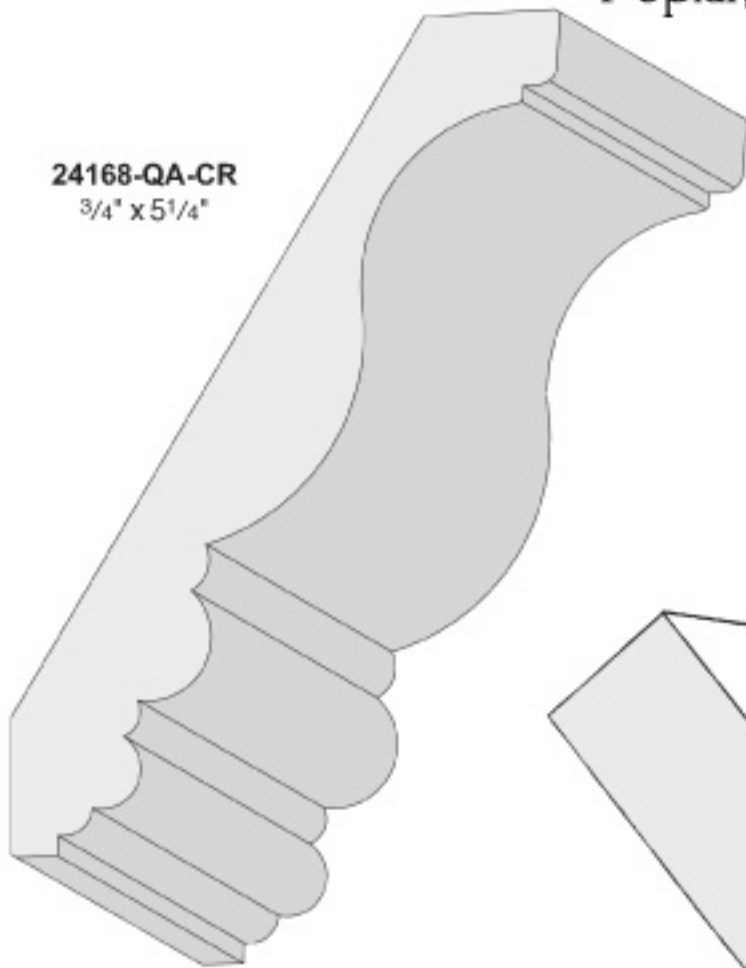


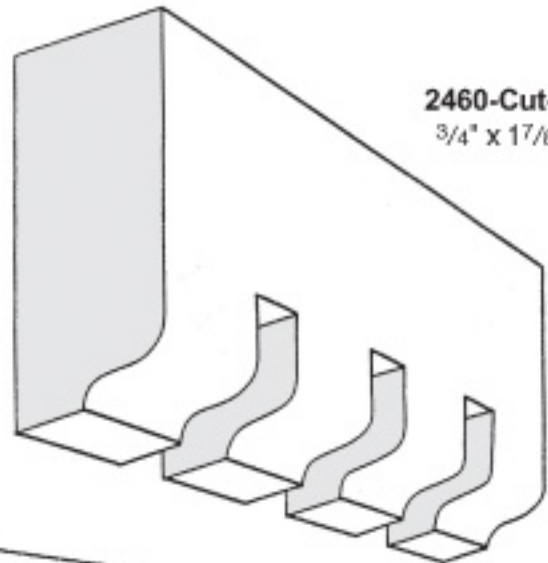
Poplar, Oak, Cherry or Poplar Fingerjoint

Shown Actual Size



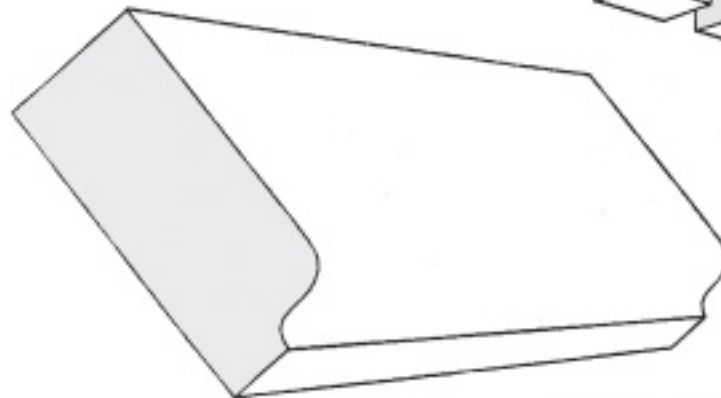
24168-QA-CR

3/4" x 5 1/4"



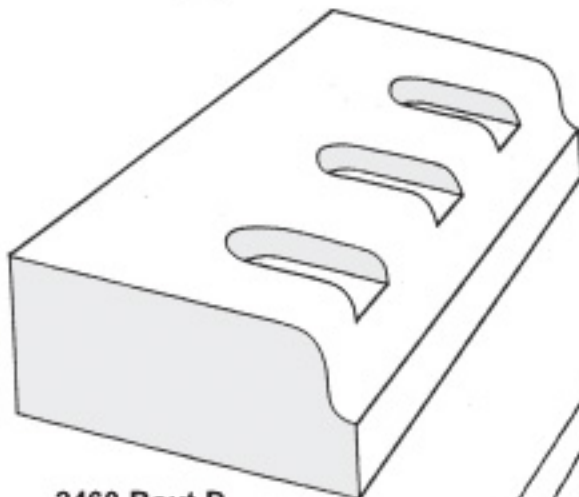
2460-Cut-D

3/4" x 1 7/8"



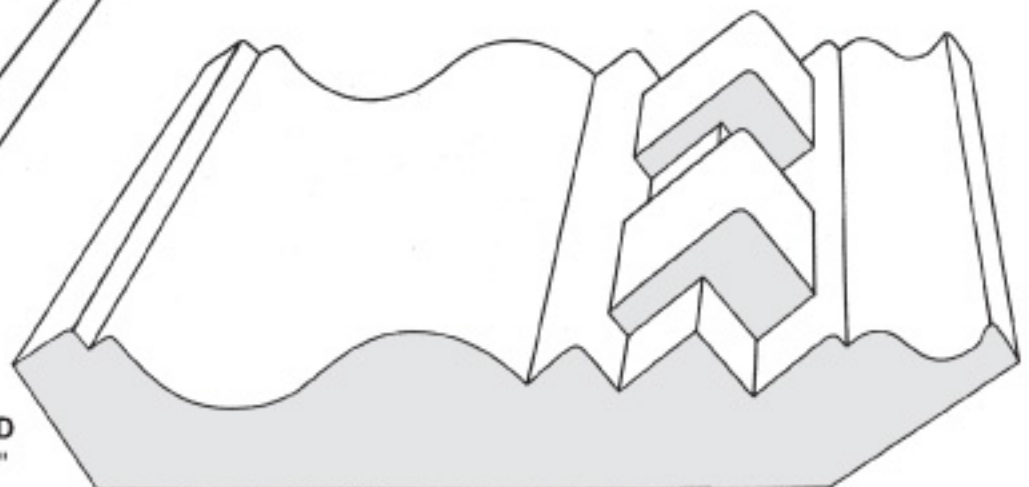
2460-No Cut-D

3/4" x 1 7/8"



2460-Rout-D

3/4" x 1 7/8"



26168-D-CD

1 3/16" x 5 1/4"