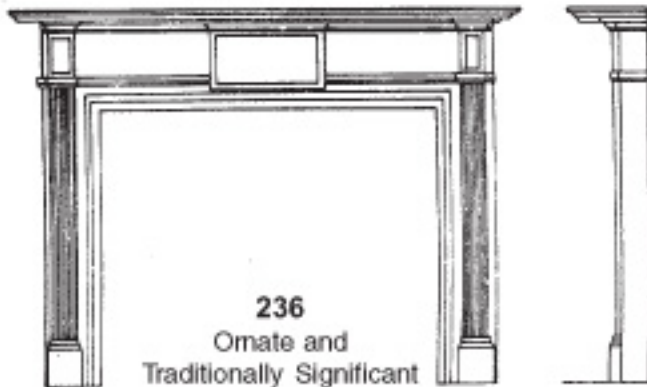
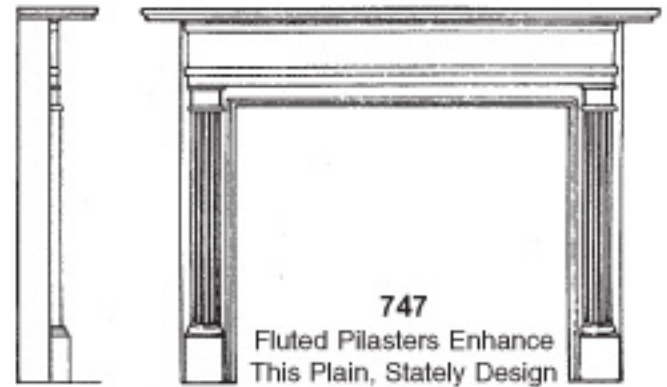


**Churchill**



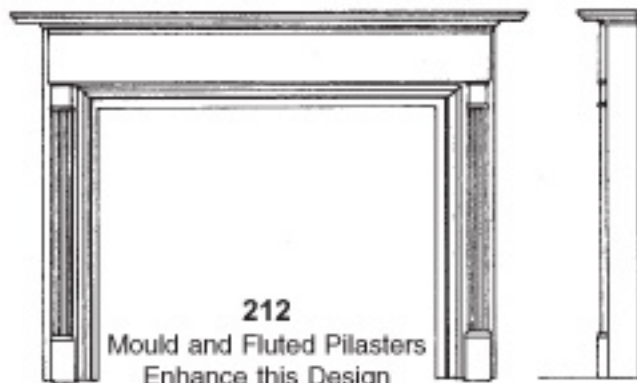
**236**  
Omate and  
Traditionally Significant

**Corbin**



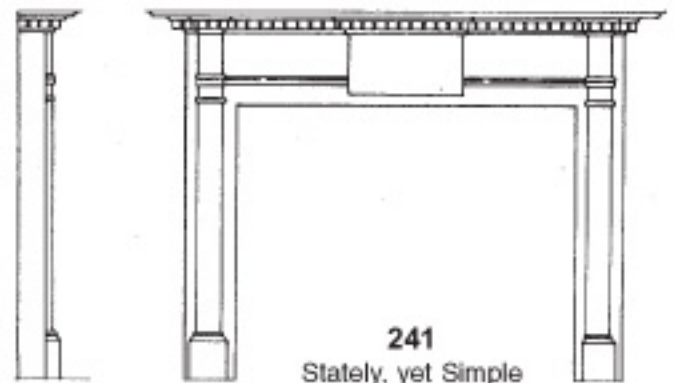
**747**  
Fluted Pilasters Enhance  
This Plain, Stately Design

**Wakefield**



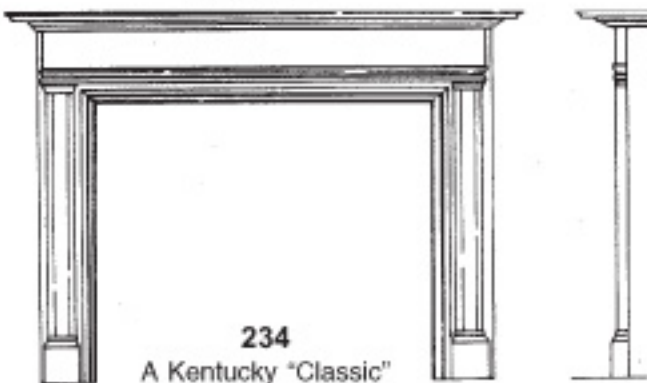
**212**  
Mould and Fluted Pilasters  
Enhance this Design

**Bedford**



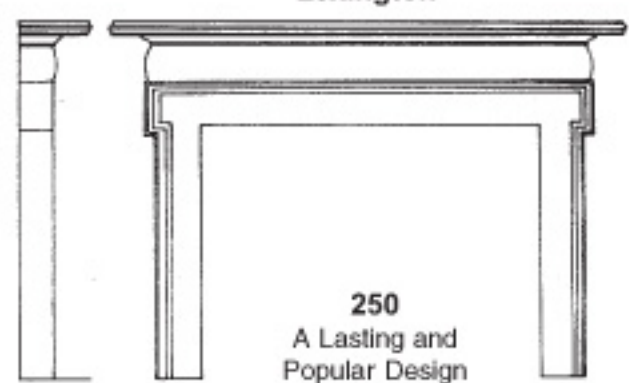
**241**  
Stately, yet Simple

**Bardstown**



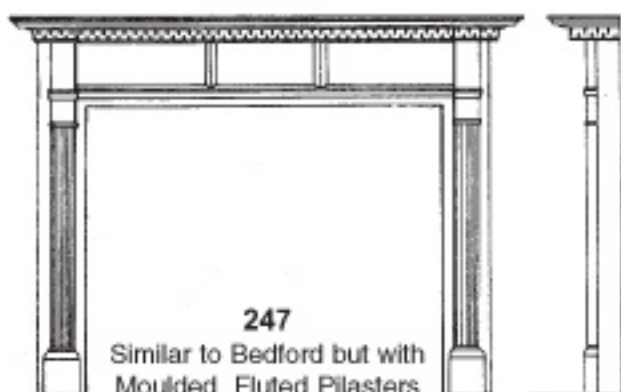
**234**  
A Kentucky "Classic"

**Lexington**



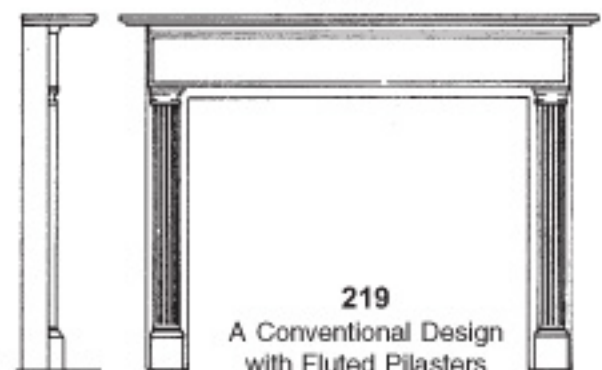
**250**  
A Lasting and  
Popular Design

**Belmont**



**247**  
Similar to Bedford but with  
Moulded, Fluted Pilasters

**Somerset**



**219**  
A Conventional Design  
with Fluted Pilasters